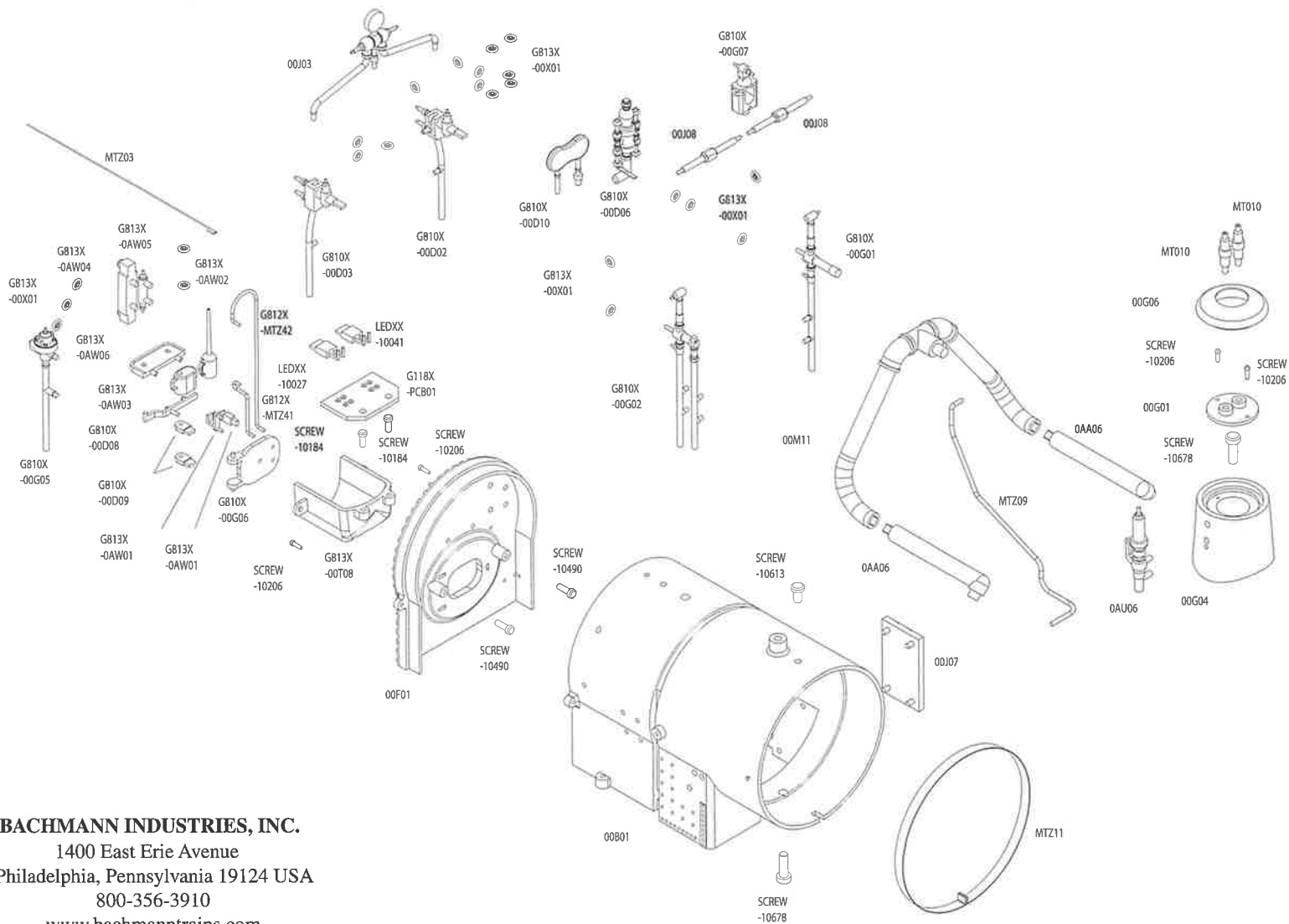


Rear Boiler Assembly

1:20.3 Large Scale
Two-Truck Heisler Locomotive

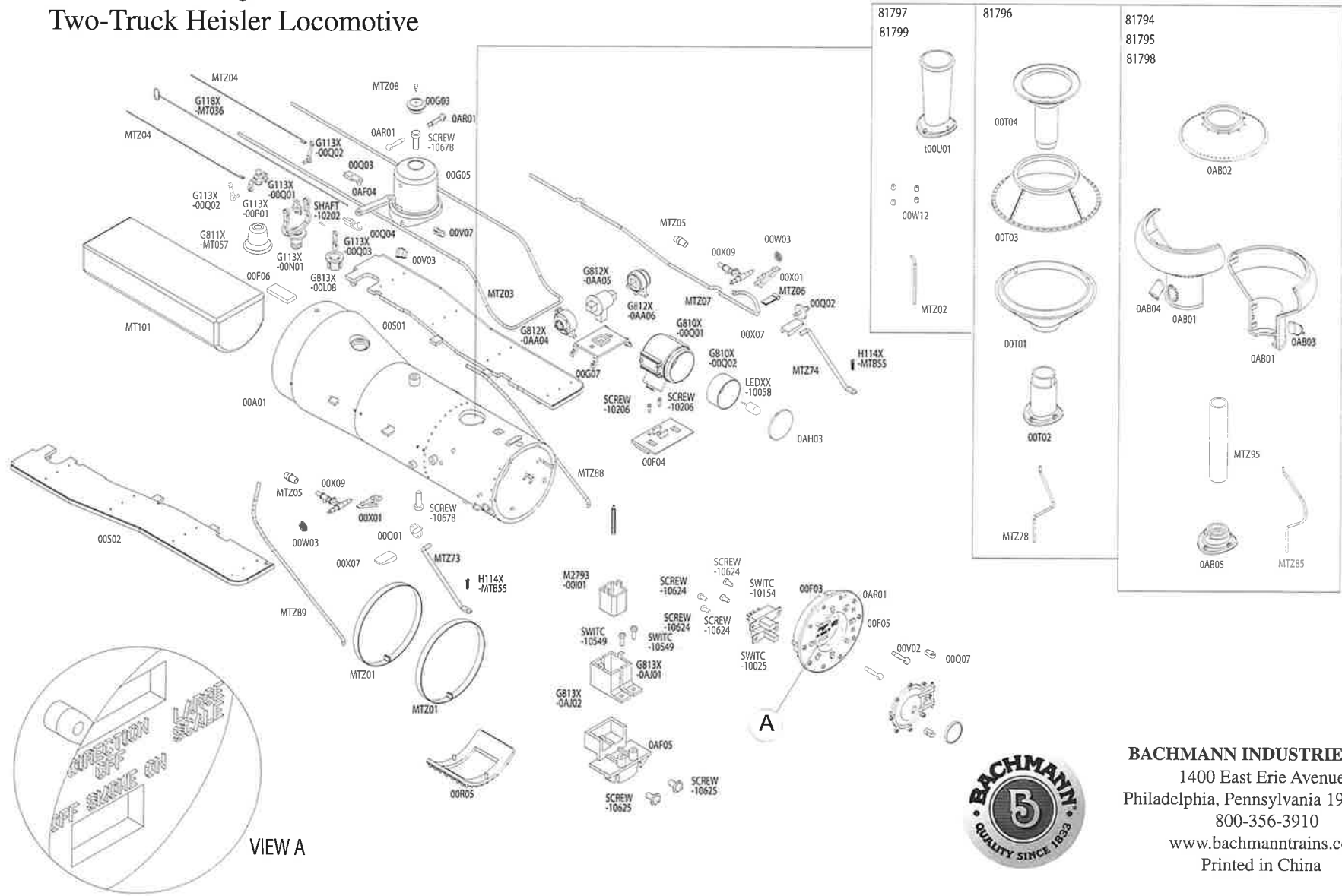


BACHMANN INDUSTRIES, INC.
1400 East Erie Avenue
Philadelphia, Pennsylvania 19124 USA
800-356-3910
www.bachmanntrains.com
Printed in China

G817X-IS002

Front Boiler Assembly

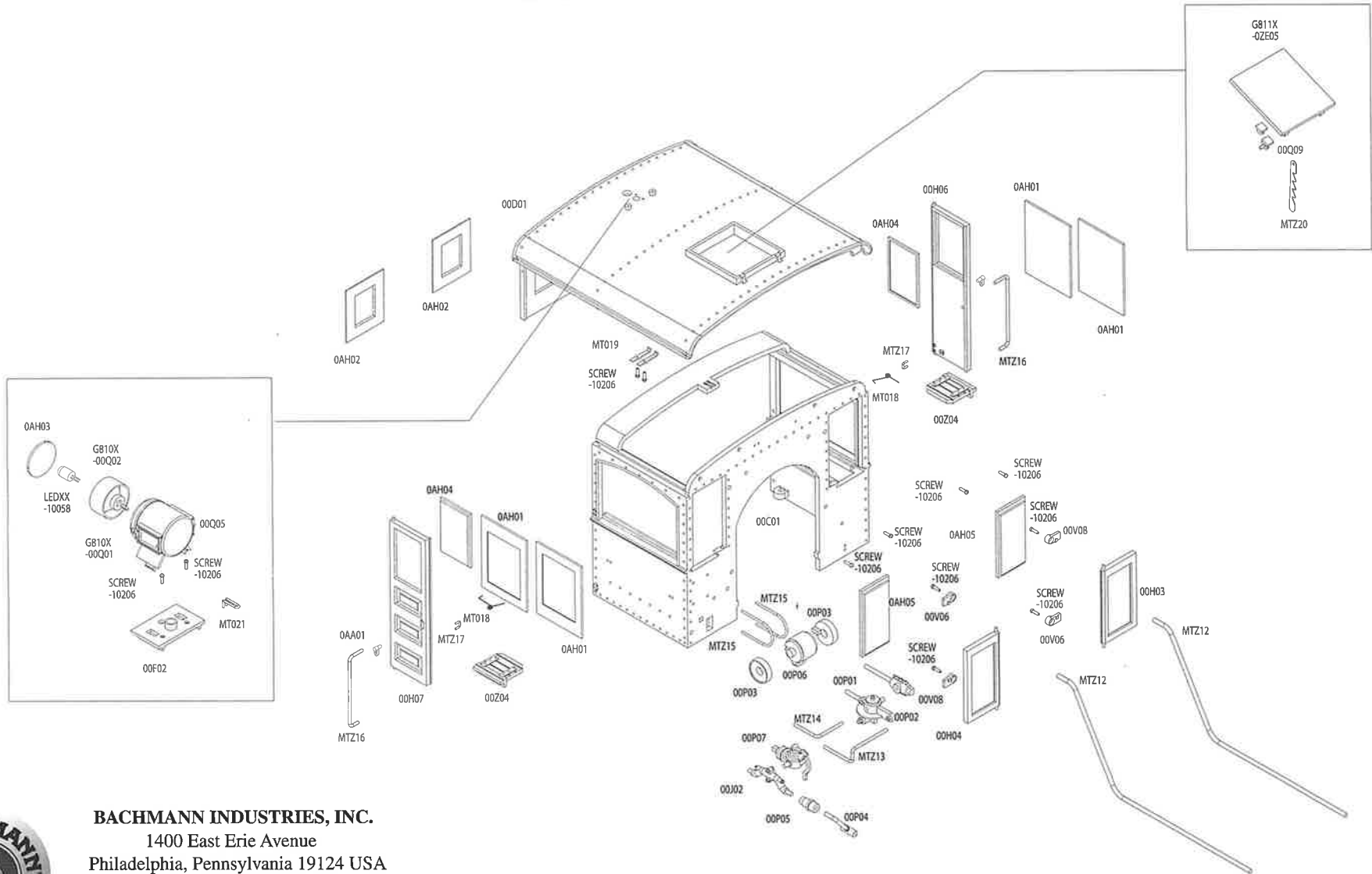
1:20.3 Large Scale
Two-Truck Heisler Locomotive



BACHMANN INDUSTRIES, INC.
1400 East Erie Avenue
Philadelphia, Pennsylvania 19124 USA
800-356-3910
www.bachmanntrains.com
Printed in China

Cab Assembly

1:20.3 Large Scale
Two-Truck Heisler Locomotive

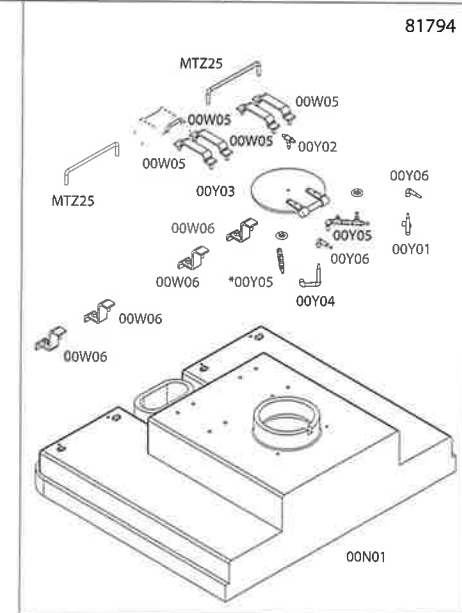
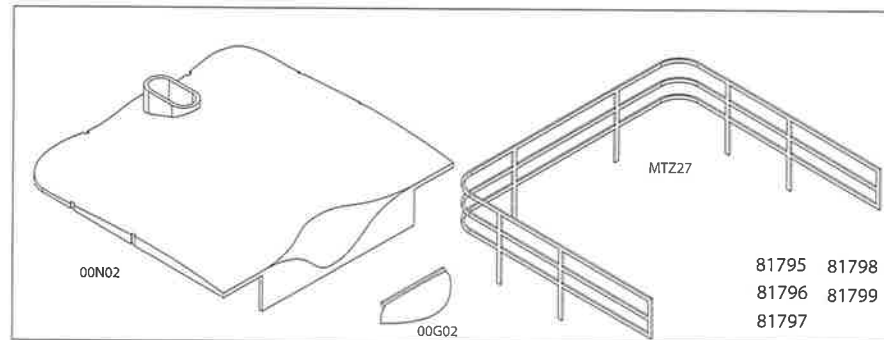
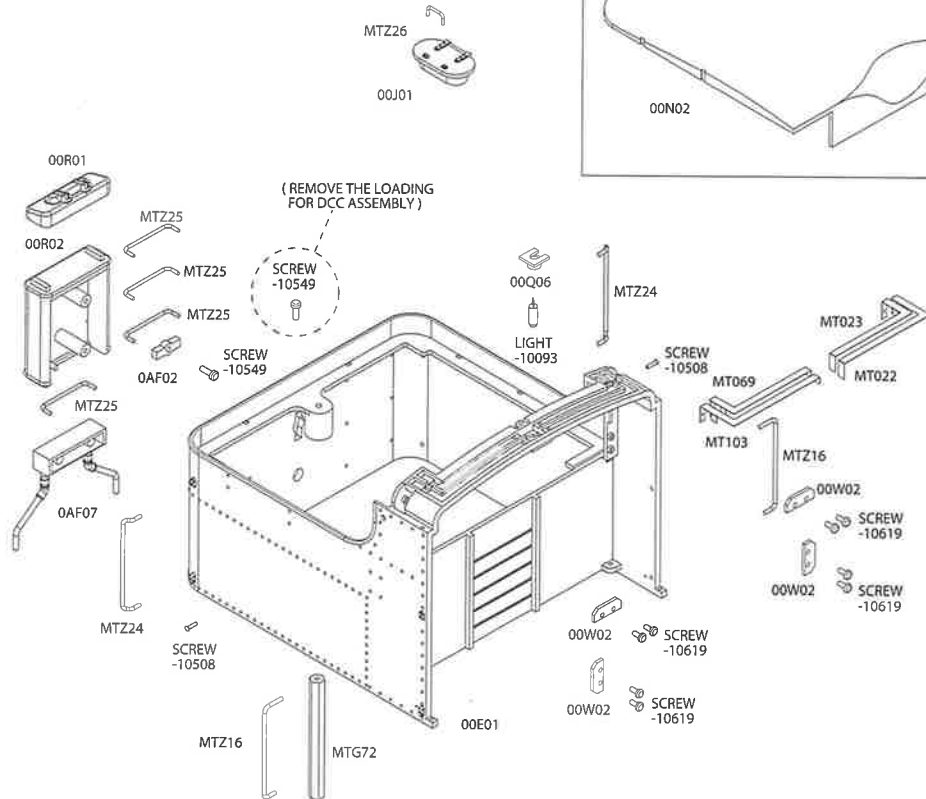


BACHMANN INDUSTRIES, INC.
1400 East Erie Avenue
Philadelphia, Pennsylvania 19124 USA
800-356-3910
www.bachmanntrains.com
Printed in China

G817X-IS003

Tender Assembly

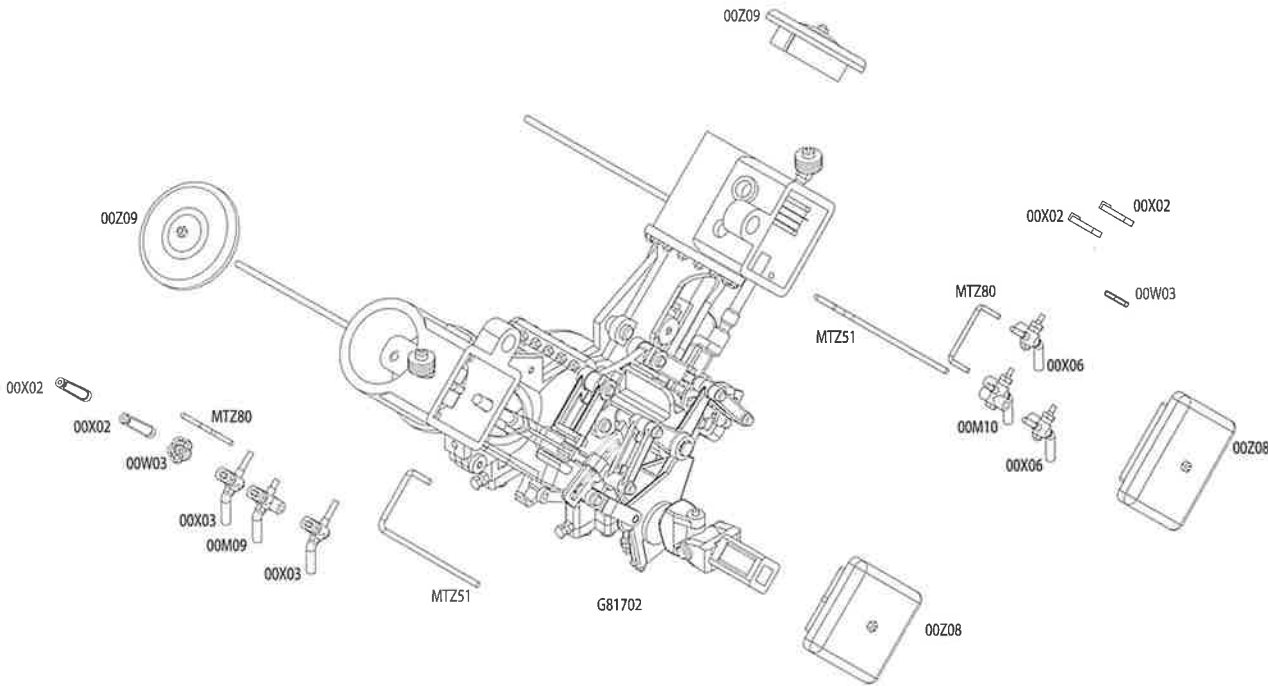
1:20.3 Large Scale
Two-Truck Heisler Locomotive



BACHMANN INDUSTRIES, INC.
1400 East Erie Avenue
Philadelphia, Pennsylvania 19124 USA
800-356-3910
www.bachmanntrains.com
Printed in China

Cylinder Assembly

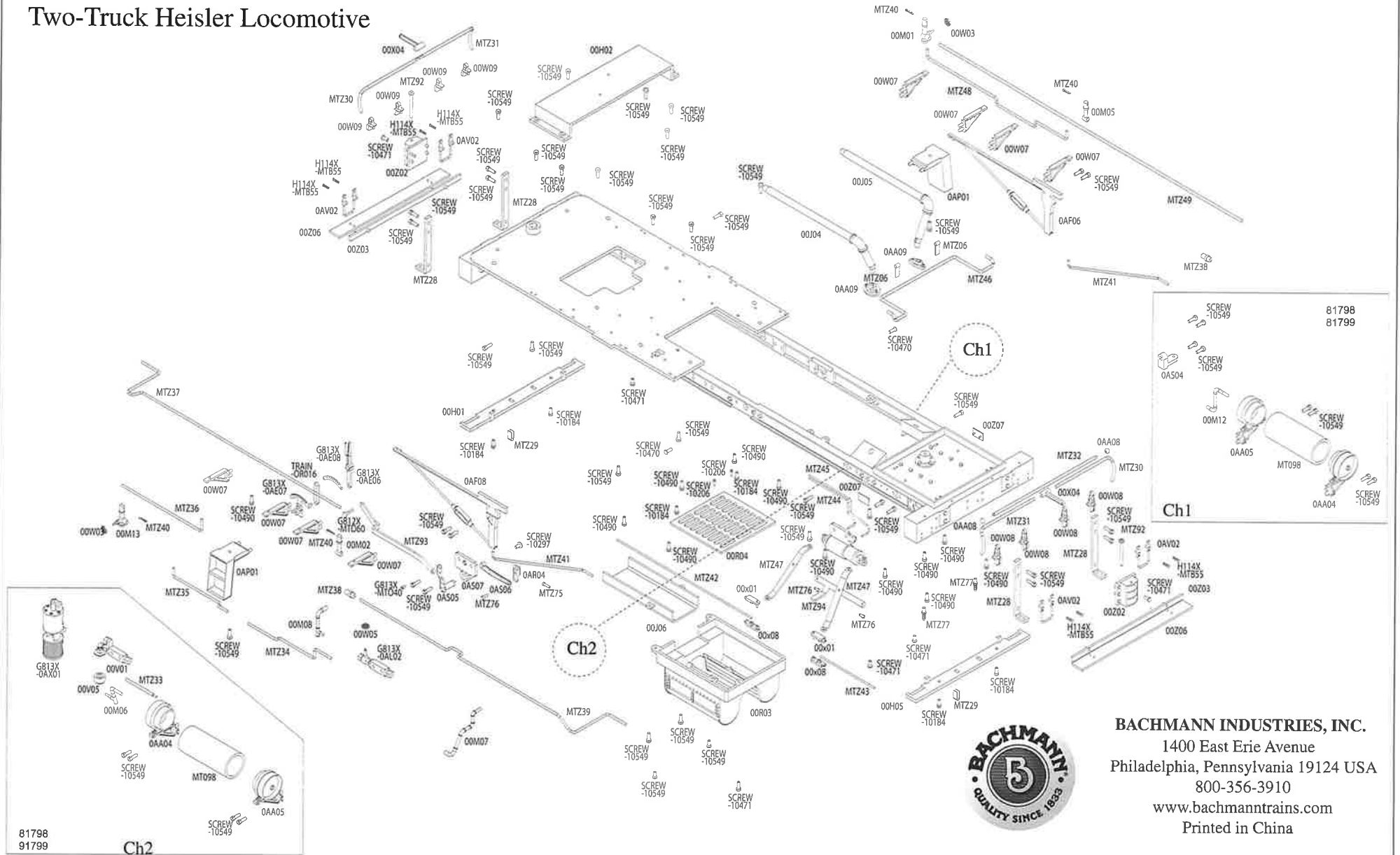
1:20.3 Large Scale
Two-Truck Heisler Locomotive



BACHMANN INDUSTRIES, INC.
1400 East Erie Avenue
Philadelphia, Pennsylvania 19124 USA
800-356-3910
www.bachmanntrains.com
Printed in China

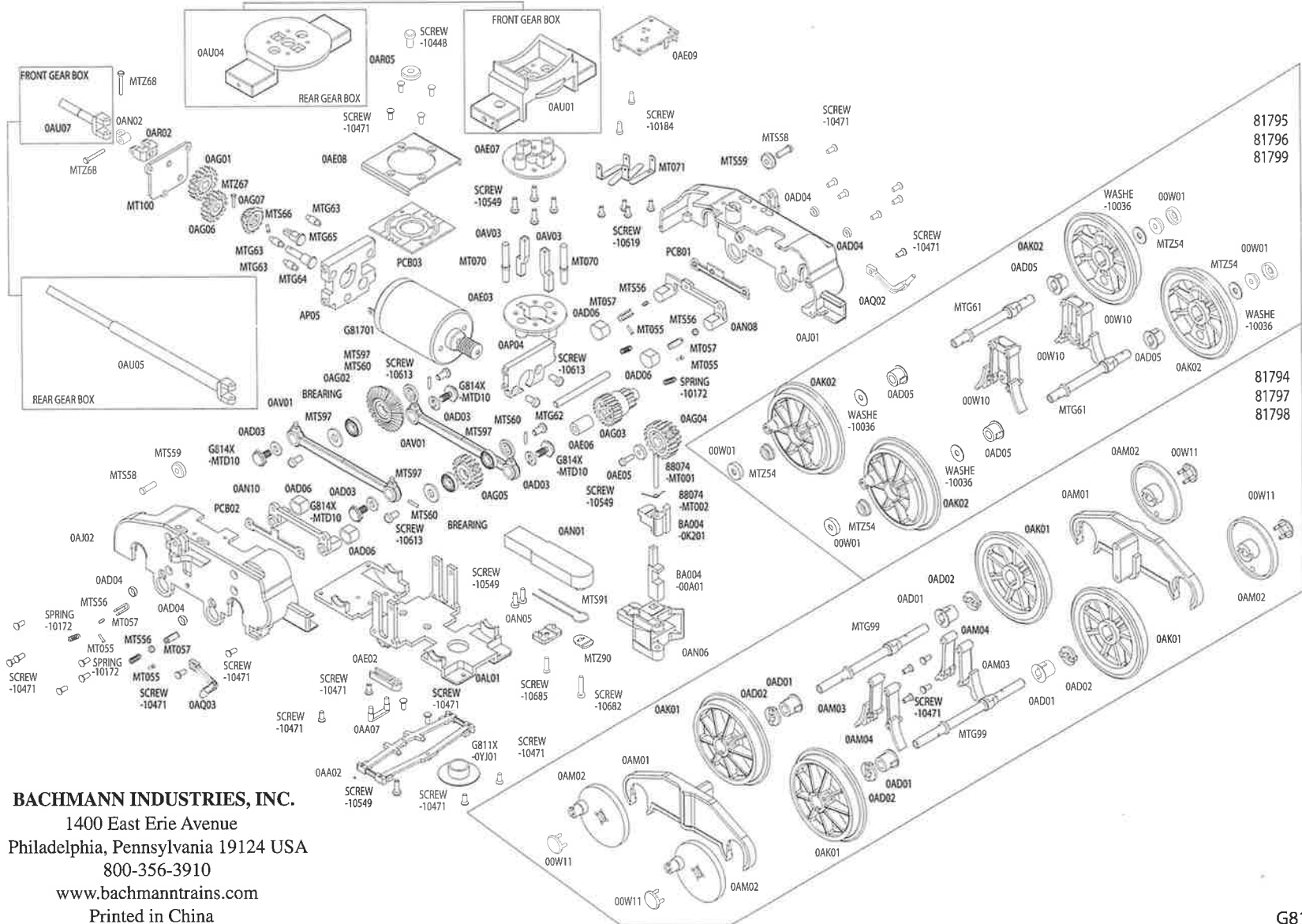
Chassis Assembly

1:20.3 Large Scale
Two-Truck Heisler Locomotive



Gear Box Assembly

1:20.3 Large Scale
Two-Truck Heisler Locomotive



81795
81796
81799

81794
81797
81798



BACHMANN INDUSTRIES, INC.
1400 East Erie Avenue
Philadelphia, Pennsylvania 19124 USA
800-356-3910
www.bachmanntrains.com
Printed in China